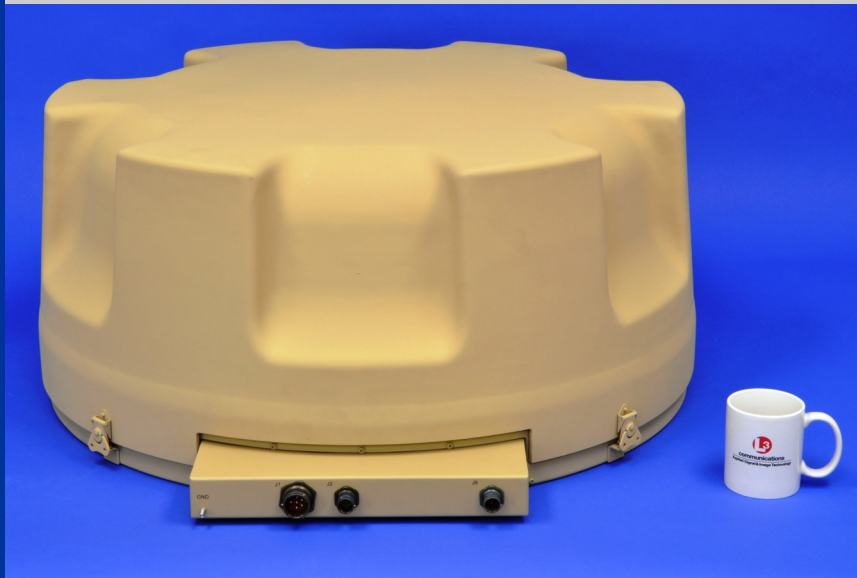


DF-125C VHF/UHF DF Antenna Head System



Features

- Wide Frequency Range
- Field Firmware Update
- Internal Compass and Commercial GPS Receiver
- Rugged Design
- Vehicle Deck Mounting Provisions
- Integrated Conducted Built-In-Test (CBIT)

Product Overview

The DF-125C is a smart product selection for broadband direction finding (DF) and geo-location for military vehicle roof-mount applications. The product has been thoroughly tested and evaluated for ruggedness of design and DF performance.

Application

The DF-125C enables the user to intercept and direction find radio frequency (RF) signals of interest in the VHF and UHF bands, nominally 20-3000 MHz. Additional features include an internal compass and commercial GPS receiver, integrated conducted built-in-test (CBIT) capability, vehicle deck mounting provisions and a field firmware update capability.

Specifications

Operating Frequency: 20-3000 MHz
DF Accuracy (20 dB SNR): < 6.5° RMS Typical
Size: 36" Dia. x 16" H
Power: < 14 W (10-36 VDC Source)
Weight: < 45 lbs. (with radome)
Operating Temperature Range: -37°C to +71°C
Storage Temperature Range: -46°C to +85°C
Environmental (Design to Meet):
Humidity: 5% to 95% non-condensing
Altitude: < 15,000 ft. MSL
Shock (11mS, 1/2 sine): 2.5g op, 10g non-op
Vibration (5-500 Hz random): 2 g RMS
EMI/RFI (MIL-STD-461E): CE102, CE106, CS101, CS103, CS114, CS115, CS116, RE102 and RS103

www.l-3com.com/asit

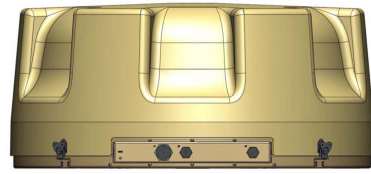


communications

Applied Signal & Image Technology

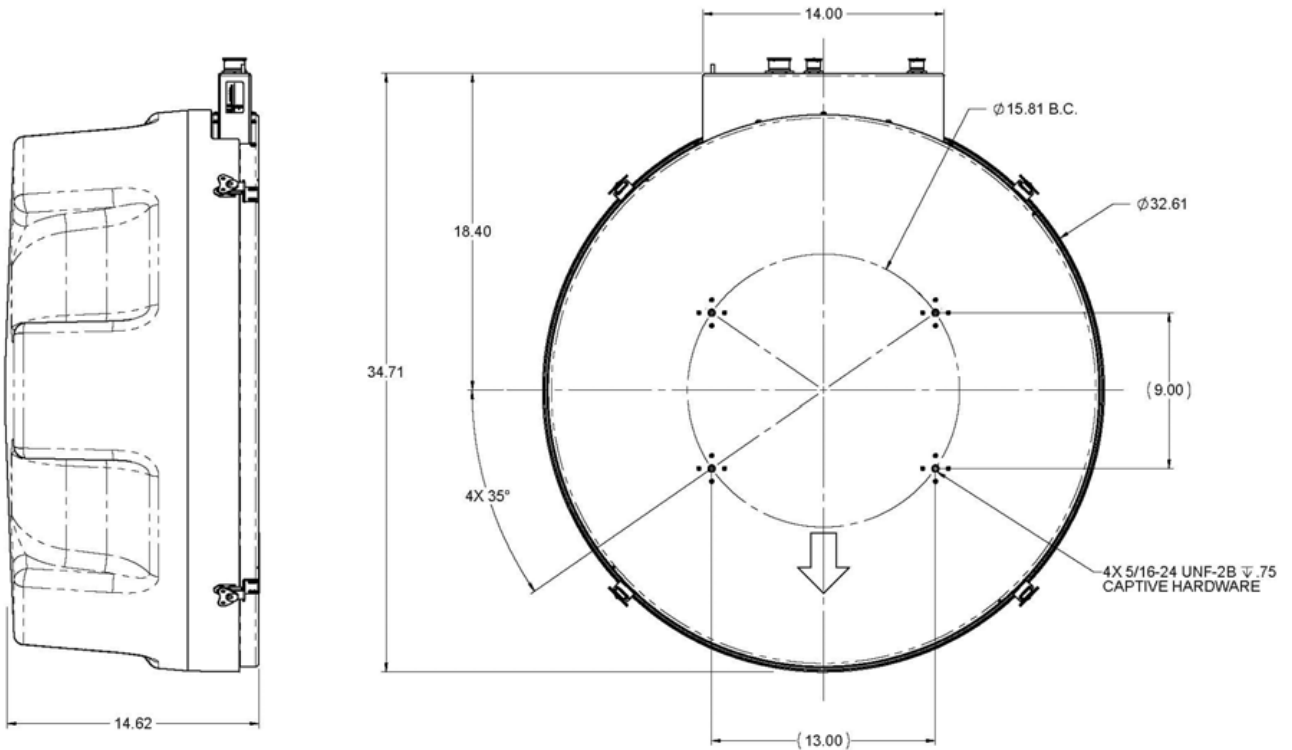
Electrical Interface

Connector	Signals
J1	RF DF/BIT/Intercept
J2	Power/Control
J5	VHF/UHF Intercept



J1 J2 J5

Mechanical Interface



ITAR Notice

The goods and services contained in this datasheet are controlled under the International Traffic in Arms Regulations (ITAR) USML Category XI(b), and may not be exported to a foreign person, either in the U.S. or abroad, without a license or exemption from the U.S. Department of State.

Warranty

All equipment is warranted for a period of one (1) year from date of purchase. The terms and conditions of the warranty are available for review upon request.

Additional warranty coverage is also available at the time of sale. Please ask your sales representative for more information.

Cleared by DOD/OSR for public release under 09-S-3100 on 15 October 2009.

