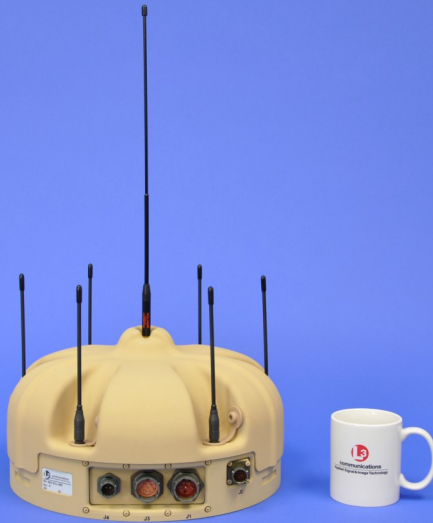


DF-90A VHF/UHF DF Antenna Head



Features

- Wide Frequency Range
- Small Size and Low Weight
- Internal Preamplification
- Dedicated Broadband RF Intercept Diplexer
- Rugged Design
- Integrated GPS & Compass
- DRT Receiver Compatible

Product Overview

The DF-90A is the next generation Tactical Direction Finding (DF) Antenna Head for use in COMINT surveillance, DF and geo-location portable missions. The DF-90A is designed to work in conjunction with popular COMINT receiver choices from DRT and others. Mounted quickly on a vehicle roof or used in a tripod configuration, the DF-90A incorporates miniature RF hardware for minimal SWaP with advanced performance.

Application

The DF-90A is an improvement to the legacy DF-20C product line. The DF-90A incorporates new antenna designs to maximize DF and intercept antenna performance over a broader frequency range in a single antenna head. When suitably mounted, the DF-90A allows operation down to 100MHz without the need for additional external arrays. The robust electrical and mechanical designs are program proven and allow the unit to withstand harsh elements as well as provide protection against damage from lightning and electro-magnetic pulses (EMP).

Specifications

Operating Frequency:

Standard: 400-3000 MHz
Suitably Mounted: 100-3000 MHz
Optional EFR-3: 20-3000 MHz

DF Accuracy (20 dB SNR):

Standard: 5 deg RMS, typical
Suitably Mounted: 10 deg RMS, typical
Optional EFR-3: 6.5 deg RMS, typical

Navigation Data: Selectable Internal GPS & Compass or External Source

Size: 13.6" Dia. x 7.5" H, Typical (Excluding Antennas)

Power: < 12 W (9-36 VDC Source)

Weight: < 12 lbs.

Operating Temperature Range: -37°C to +71°C

Storage Temperature Range: -46°C to +85°C

Environmental (Design to Meet):

Humidity: 5% to 95% non-condensing

Altitude: < 15,000 ft. MSL

Shock (11ms, 1/2 sine): 2.5g op, 10g non-op

Vibration (5-500 Hz random): 2 g RMS

EMI/RFI (MIL-STD-461E): CE102, CE106,
CS101, CS103, CS114, CS115, CS116,
RE102 and RS103

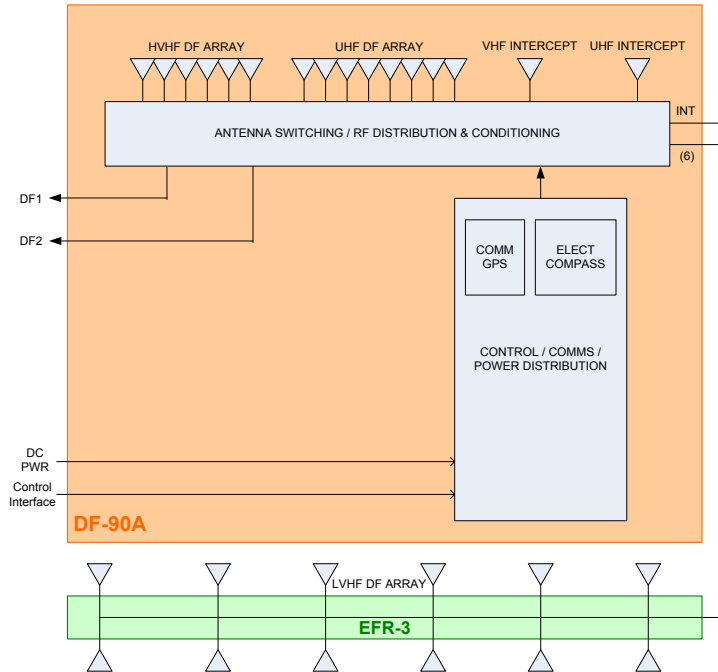
www.l-3com.com/asit



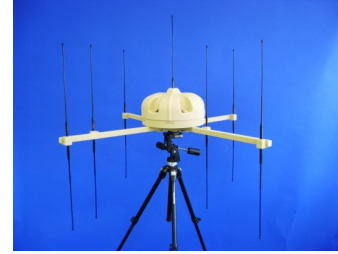
communications

Applied Signal & Image Technology

System Block Diagram



Optional Equipment

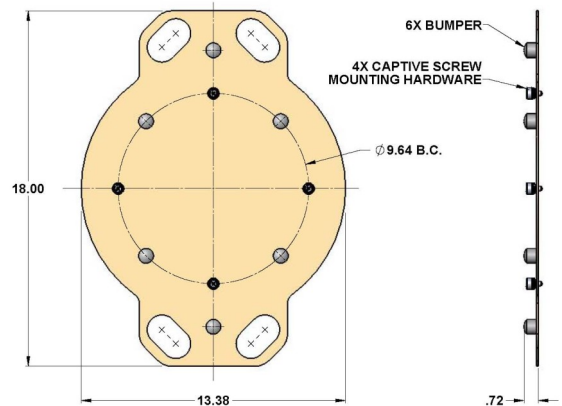
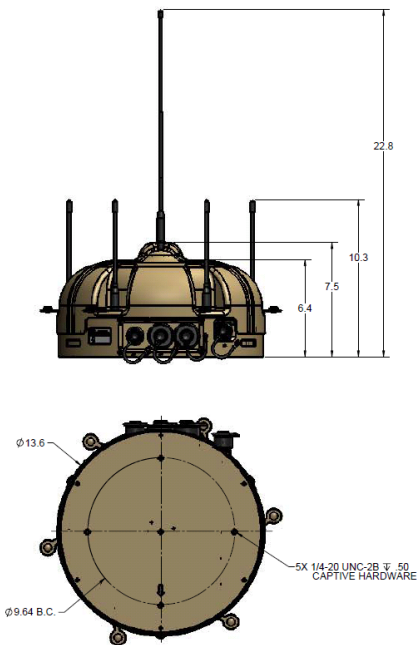


DF-90A with EFR-3



Vehicle Roof Mounting Plate

Mechanical Data (inches)



Other Information

The goods and services contained in this datasheet are controlled under the International Traffic in Arms Regulations (ITAR) USML Category XI(b), and may not be exported to a foreign person, either in the U.S. or abroad, without a license or exemption from the U.S. Department of State.

All equipment is warranted for a period of **one (1) year** from date of delivery. The standard terms and conditions of the warranty are available for review upon request. Additional warranty coverage is also available at the time of sale. Please ask your sales representative for more information.

Cleared by DoD/OSR for public release under 09-S-0566 initially on March 19, 2009



communications

Applied Signal & Image Technology