

EFR-3 Frequency Extension Array



Features

- Collapsible Design for Ease of Storage and Transport
- Frequency Extension to 20MHz
- DF-90A / RDF-110 Compatible
- Rugged Design
- Captive Attachment Hardware
- Integrated Cable Interface

Product Overview

The EFR-3 is designed to compliment L-3 ASIT's line of Direction Finding (DF) Sensors and Antenna Heads for missions that require low frequency targets down to 20MHz.

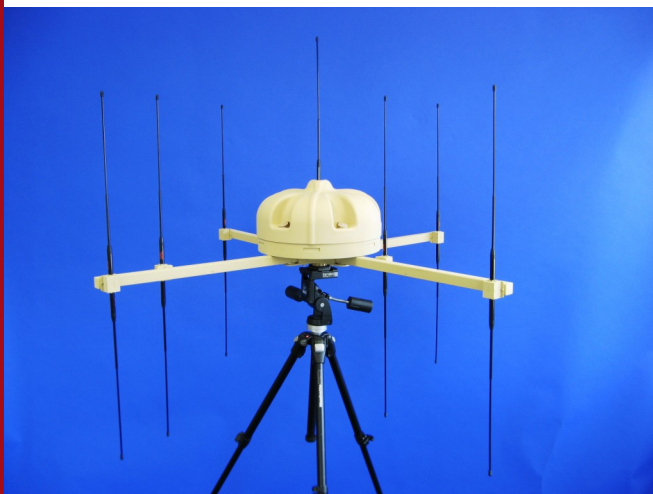
Application

The EFR-3 permits direction finding frequency operations down to 20 MHz. It is fully ready for plug and play operation with the DF-90A DF Head or RDF-110 DF Sensor. The EFR-3 is designed for easy mounting on a mast or a tripod. The collapsible rugged mechanical design makes this frequency extension array suitable for dismantled and man-pack DF missions.

Specifications

Frequency Extension: down to 20 MHz
Collapsed Size: 23.7" L x 7.0" W x 7.0" H
Deployed Size: 36.25" L x 32.75" W x 32.8" H
Weight: < 6 lbs.
Operating Temperature: -40°C to +71°C
Storage Temperature: -55°C to +85°C
Environmental (Design to Meet):
Humidity: 5% to 95% non-condensing
Altitude: < 15,000 ft. MSL
Shock (11ms, 1/2 sine): 2.5g op
10g non-op
Vibration (5-500 Hz random): 2 g RMS
EMI/RFI (MIL-STD-461E): CE102, CE106,
CS101, CS103, CS114, CS115,
CS116, RE102 and RS103

www.l-3com.com/asit

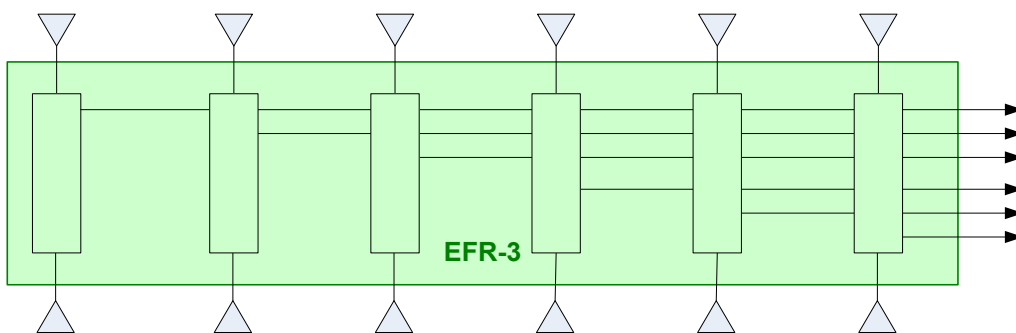


RDF-110 with EFR-3 shown on tripod



L-3 Communications, Applied Signal & Image Technology. Phone: 443-457-1111 E-mail: Sales.ASIT@L-3com.com Web: www.L-3com.com/asit
© Copyright, L-3 Communications, Applied Signal & Image Technology. All Rights Reserved.

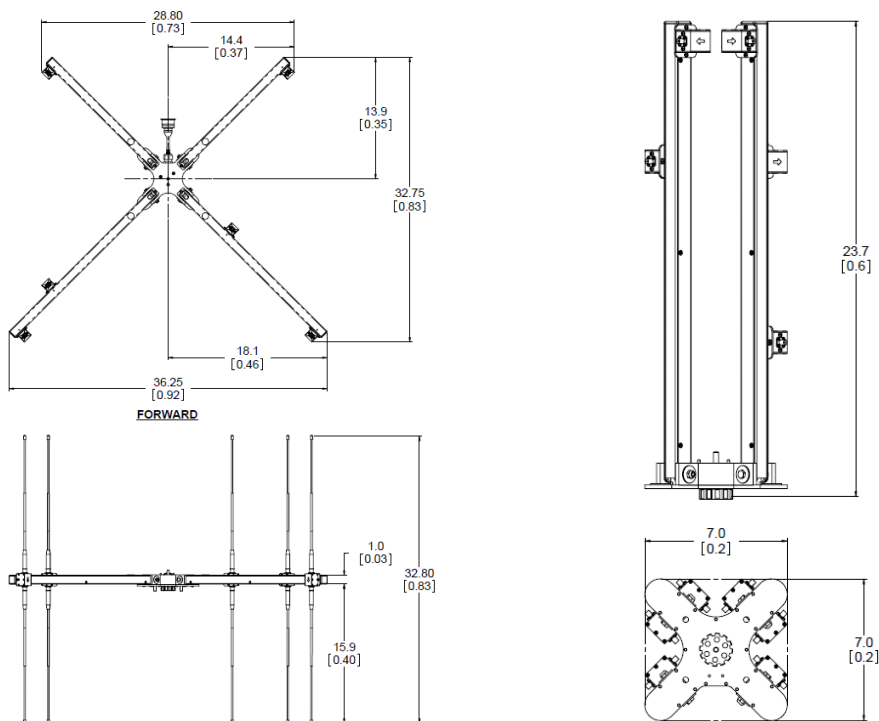
System Block Diagram



Other Information

The goods and services contained in this datasheet are controlled under the International Traffic in Arms Regulations (ITAR) USML Category XI(b), and may not be exported to a foreign person, either in the U.S. or abroad, without a license or exemption from the U.S. Department of State.

Mechanical Data (inches)



All equipment is warranted for a period of **one (1) year** from date of delivery. The standard terms and conditions of the warranty are available for review upon request. Additional warranty coverage is also available at the time of sale. Please ask your sales representative for more information.

Cleared by DoD/OSR for public release under 09-S-0567 on February 2, 2009



communications
Applied Signal & Image Technology