



Model F-1A FOCUS-1 UAV POD COMINT DF SYSTEM

www.l-3com.com/asit

Features

- Weather-resistant for continuous outdoor operation
- Altitude tested to 30,000 ft MSL
- Temperature tested to -50°C ambient
- Frequency range of 30—3000 MHz
- Optional HF range extension
- Military-style connectors
- Integrated GPS navigation
- RAPID INSTALLATION: < 1 HR.
- 28 VDC on aircraft power
- Ground-based control
- Designed to interface to LOS or Satcom datalink
- Optional ROVER II Tactical Downlink

Product Overview

The F-1A system is an innovative tactical COMINT and DF solution pioneered on U.S. Military UAV's. The F-1A system is designed for installation on a UAV without the need for a modification to the aircraft. The installation can be accomplished in less than 1 hr. using standard attach points and simple to follow instructions. The system is operated by a single ground based operator via a TCP/IP or SATCOM datalink. The system is used to remotely intercept, monitor and DF/geolocate multiple signals of interest (SOIs).

The receiver SOI capabilities include various demodulation formats currently available on popular receivers. (contact factory)

Specifications

Typical Altitude: < 25,000 ft. MSL

Frequency: 30-3000 MHz

DF Performance:

HF (Optional): <10 deg, typical (V)

VHF (Standard): <5 deg, typical (V/H)

UHF (Standard): < 3 deg, typical (V)

Power: 28 VDC, < 28 A

Weight: < 135 lbs.

Install Time: < 1 hr.

Size: 78" long, 32" wide at tail, 23" tall

Ordering Information

Model Number: F-1A

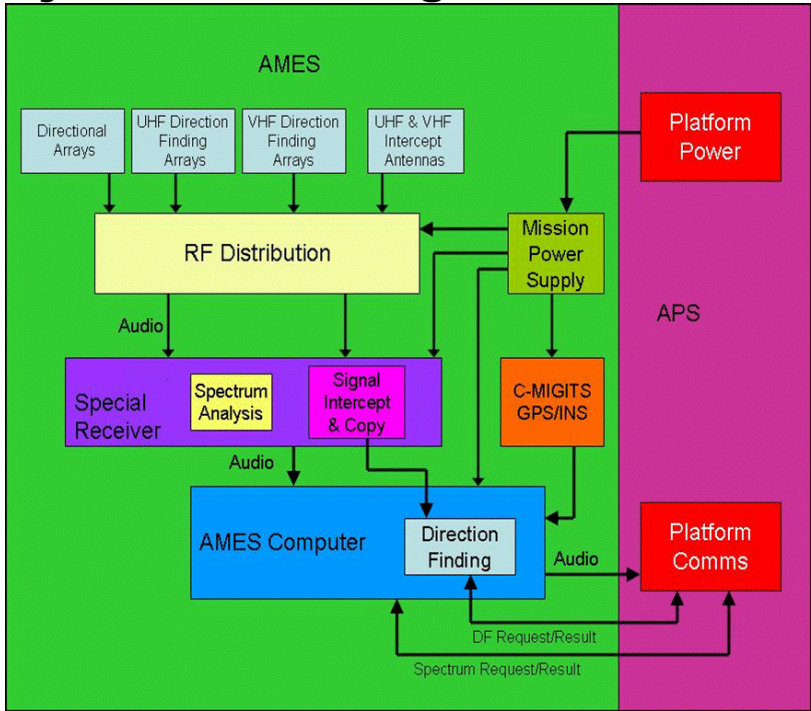
Part Number	Option	Description
-CASE	Shipping Case	Rugged case suitable for storage and shipment
-WTY	Extended Warranty	1 year extension to the product warranty
-MAN	Extra Manual	Extra User's Manual
-TRNG	Training	One day training course
-HF	HF Option	HF Intercept and DF
-REM	Remote Option	TCP/IP Remote Control
-ROVER	Rover Downlink	Downlink of operator's screen



communications

Applied Signal & Image Technology

System Block Diagram



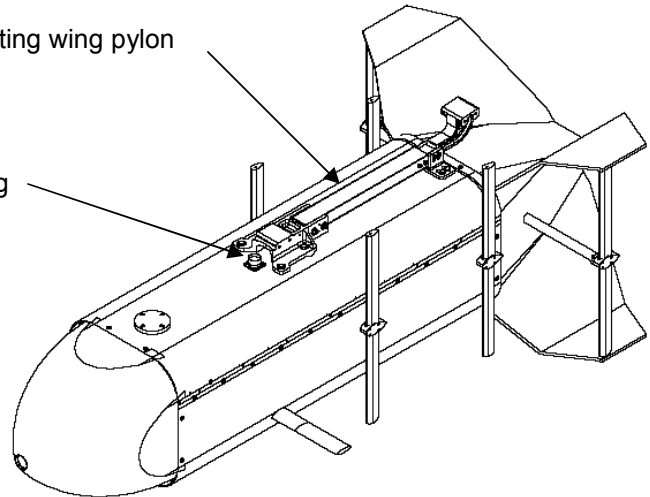
Other Information

All items contained herein are controlled under the International Traffic in Arms Regulations. (ITAR) and are subject to U.S. State Department Approval.

Mechanical Interface

Adapter mounts to UAV existing wing pylon

Mil-Circ Connectors mates to existing UAV pylon cable



Warranty

All equipment is warranted for a period of one (1) year from date of purchase. The terms and conditions of the warranty are available for review upon request.

Additional warranty coverage is also available at the time of sale. Please ask your sales representative for more information.

Cleared by DoD/OSR for public release under 08-S-0031
On 27 November 2007



communications
Applied Signal & Image Technology