

MASS-1000 Family *Modular Antenna Switching System*



Features

- cPCI Module Form Factor
- Standard Functional Modules
- Customizable
- Rack Mountable
- Rugged Design
- Expandable

Product Overview

The MASS-1000 Modular Antenna Switching System (MASS) is a family of function specific modules that can be configured to produce a cost effective solution providing multiple receivers access to dedicated antenna resources. The Functional Modules populate the MASS chassis to create unique configurations to solve demanding customer system requirements.

Application

The MASS-1000 Family is designed primarily for airborne applications permitting the sharing of valuable antenna resources. The size, weight, and variety of available standard modules enable the system designer to rapidly configure a specific solution with flexibility at an affordable price point.

Specifications

Size: 7" (4U) high by 12" deep (connectors and cables not included). Three widths available, 12 slots, 15 slots, and 21 slots.

Power: < 50W Typical *(+28 Vdc Source)

Weight: < 30 lbs. Typical*

Operating Temperature Range: -15° C to 55° C

Storage Temperature Range: -55° C to 85° C

Environmental (Design to Meet):

Humidity: 5% to 95% non-condensing

Altitude: < 15,000 ft. MSL

Shock and Vibration: External Shock and vibration Isolation Required to Meet DO-160E, Propeller Aircraft

* Note: Dependent on Size of Chassis, type and population of modules. Typical values shown are representative of the example depicted below.

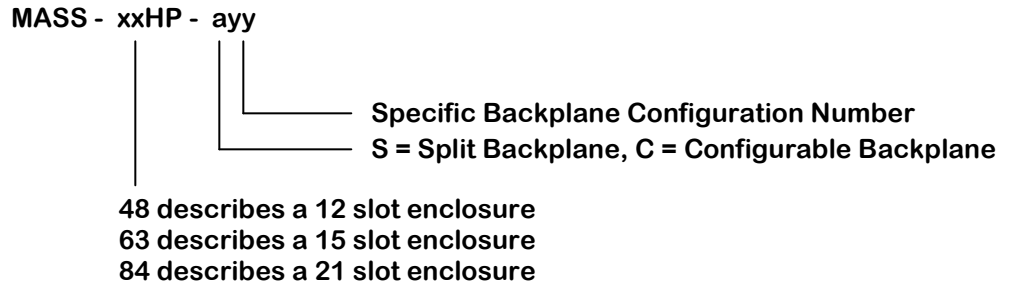
www.l-3com.com/asit



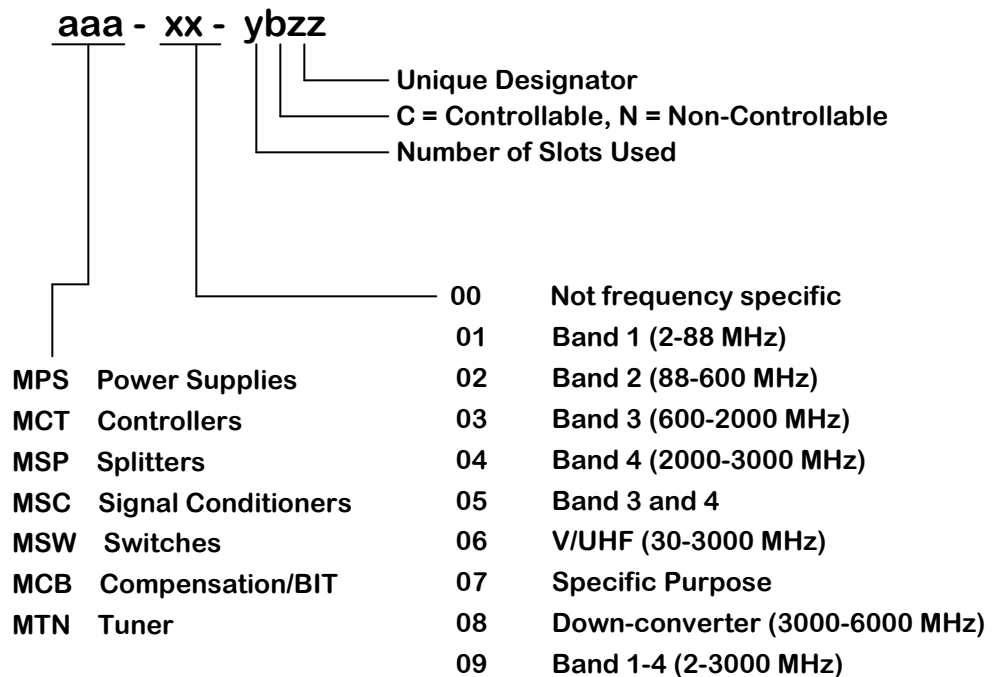
communications
Applied Signal & Image Technology

Chassis enclosures are available in three sizes (12, 15 or 21 slot). Each chassis requires a specific PCB backplane depending on module population. Enclosures will begin with MASS designator. The second descriptor after the dash is the enclosure size with the last descriptor being specific to the backplane.

Chassis Model Number Ordering Information:

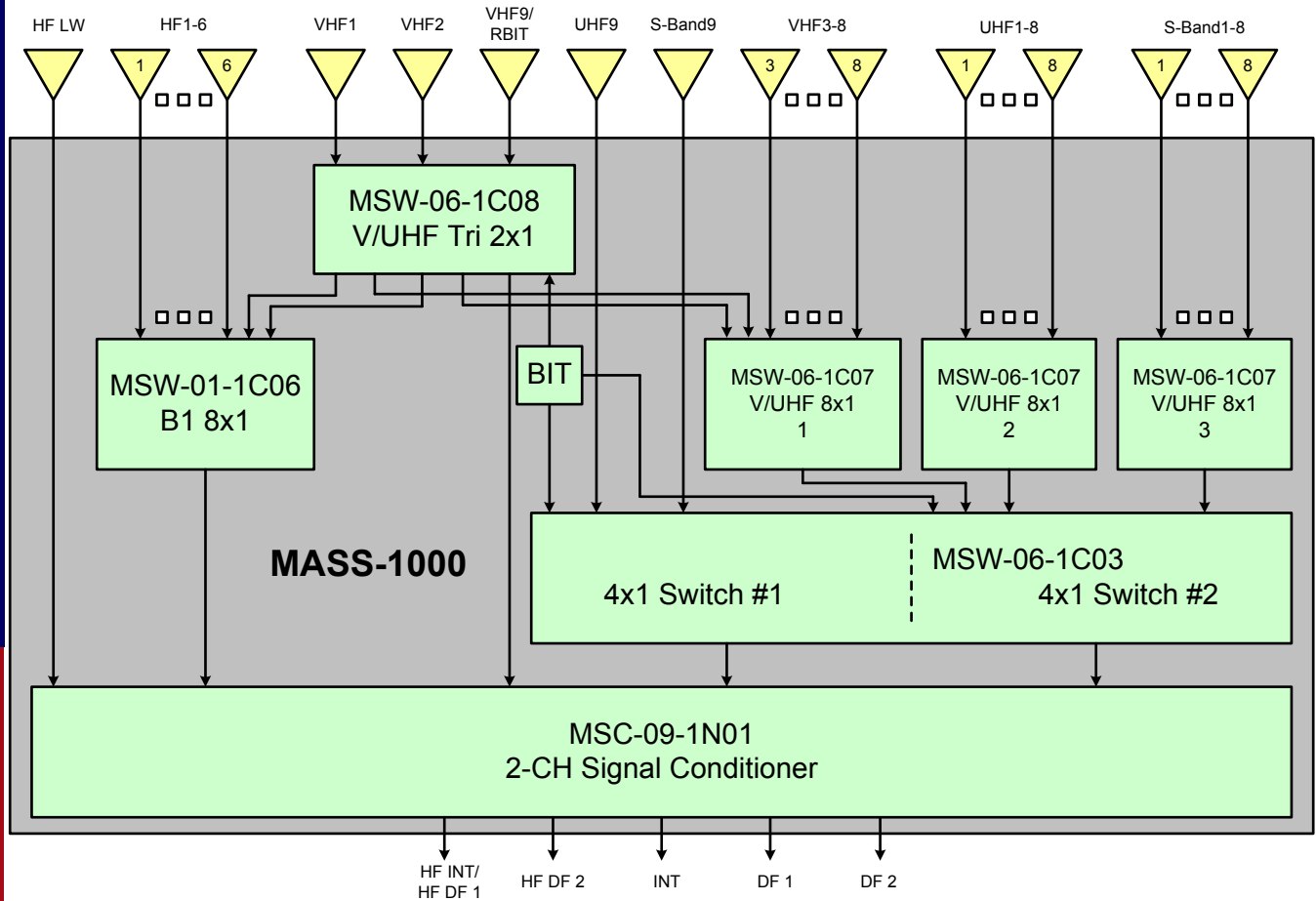


Module Model Number Ordering Information:



communications
Applied Signal & Image Technology

Example System Block Diagram



Optional Equipment

MASS-1000 is adaptable and expandable with Remote Compensation Units (RCU). Contact Sales for more information.

Mechanical & Electrical Data

Military Circular connector interfaces on back panel
 Up to 180 lines of RF I/O
 Optional internal fan for forced air cooling (for designs with high power dissipation)
 Status LEDs on certain cards for ease of troubleshooting

ITAR Notice

The goods and services contained in this datasheet are controlled under the International Traffic in Arms Regulations (ITAR) USML Category XI(b), and may not be exported to a foreign person, either in the U.S. or abroad, without a license or exemption from the U.S. Department of State.

Warranty

All equipment is warranted for a period of **one (1) year** from date of delivery. The standard terms and conditions of the warranty are available for review upon request. Additional warranty coverage is also available at the time of sale. Please ask your sales representative for more information.

Cleared by DoD/OSR for public release under 09-S-3177 initially on 10-09-2009



communications
 Applied Signal & Image Technology