

# TARGET ACQUISITION DAY/NIGHT FIRE CONTROL SYSTEMS



## TA D/N FCS



Use of this U.S. DoD image does not imply or constitute DoD endorsement.

### DEFEAT TARGETS IN DEFILADE

#### DAY OR NIGHT OPERATION

- Accurate Day/Night target engagements using a corrected aimpoint derived from rangefinder and ammunition ballistics
- Direct view optic with 2x magnification
- For night operations, TA D/N FCS utilizes an uncooled thermal sensor with digital zoom to 4x
- Laser pointer/illuminator

#### BENEFITS

- Direct view optics
- Thermal imager
- Improved rangefinding with highly accurate eye-safe laser rangefinder
- Extended range allows more accurate target acquisition and identification
- Increased capabilities day or night

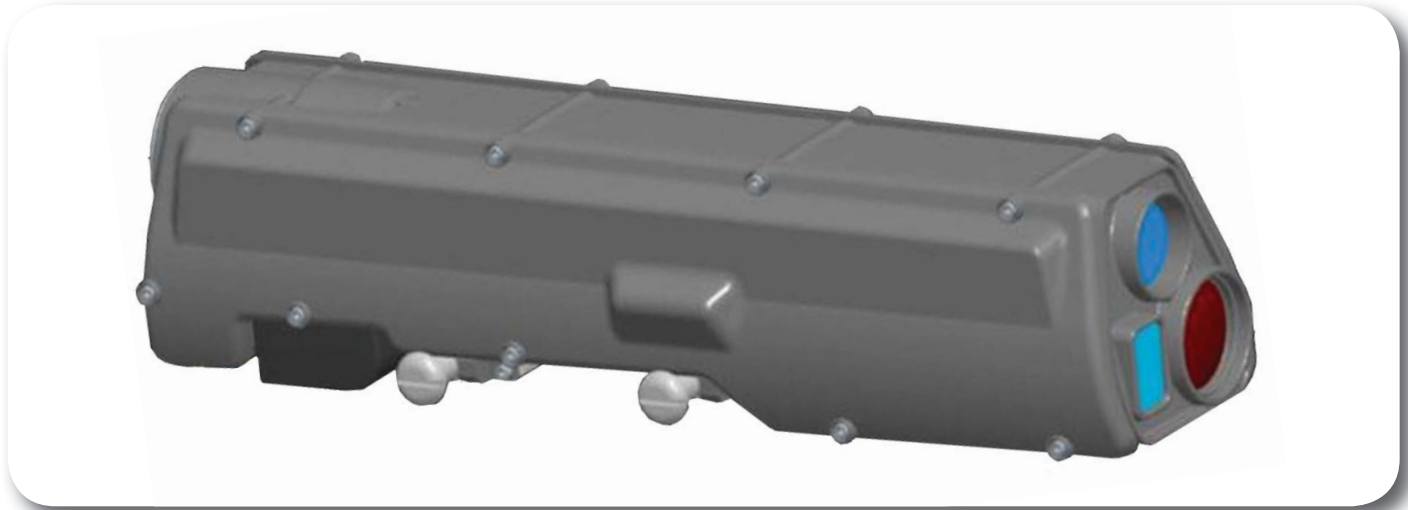
#### ENHANCED FEATURES

- Greater situational awareness and survivability
- Reduced fratricide and collateral damage
- Ballistically corrected aimpoint for numerous ammunition types including low velocity 40 mm
- Non-line of sight capability
- Enhanced engagement capabilities and target hand off when using tethered GPS.
- System available with external data port to access laser range and azimuth data with target location expressed in UTM coordinates
- Internal Fuze Setter for 25mm High Explosive Air Burst (HEAB) ammunition in conjunction with Integrated Air Burst Weapon System

# TARGET ACQUISITION DAY/NIGHT FIRE CONTROL SYSTEMS



## TA D/N FCS



### OPTICAL PERFORMANCE

- Direct view optic with 2x magnification
- Nightsight sensor 320 x 240 Uncooled thermal (8–12 $\mu$ m) 25 $\mu$ m pixel pitch;
- Digital zoom to 4x
- Laser Safety Class I per ANSI Z136 (2000) (Eye-Safe)

### CHARACTERISTICS

- System weight less than 3.1 lbs with battery
- Day/night full solution fire control
- Ballistically corrected Aimpoint
- Integrated, field replaceable battery
- M-1913 Picatinny rail weapon mounting system
- Laser pointer/illuminator

#### **Brashear**

615 Epsilon Drive  
Pittsburgh, PA 15238  
Tel: 412-967-7700  
Fax: 412-967-7973

Email: [Sales.Brashear@L-3Com.com](mailto:Sales.Brashear@L-3Com.com)

[www.L-3Com.com/Brashear](http://www.L-3Com.com/Brashear)



**Integrated Optical Systems**

Specifications subject to change without notice. Call for latest revision. All brand names and product names referenced are trademarks, registered trademarks, or trade names of their respective holders.

Cleared for Public Release by the U.S. Army under correspondence dated May 17, 2011.

042111 rev0