

# Center Console Unit **CCU**

6.5" Sunlight Readable, Color AMLCD Display



## Key Features

- 6.5" AMLCD display enhanced for sunlight readability & non-glare
- Rugged: meets -20 to +55°C operating temperature range
- PowerPC processors at 247.5 MHz with a 99 MHz memory bus and a 33 MHz PCI bus
- Minimum 256MB of Main Memory SDRAM
- ATI Mobility Radeon 9000 Graphics Processor with 64MB of On-board Memory
- IEEE 1394b for communications w/400 Mb/sec max speed
- Green Hills® RTOS and OpenGL®
- Presently used for radio management, COM radio volume and squelch on/off, flight planning, and autopilot mode control
- Can be used as EFIS, MFD and custom display
- Hardware per DO-254 and software per DO-178B



**communications**

Display Systems

## Optical Performance

<b>Viewable Area:</b>	6.5" diagonal, 5.2" (h) x 3.9" (w)
<b>Resolution:</b>	640x480, 125 pixels/in
<b>Gray Levels:</b>	256k colors; 64 levels/color
<b>Luminance:</b>	0.16 fL to 165 fL
<b>Viewing Angles:</b>	±32° Horizontal, ±11° Vertical
<b>Contrast Ratio:</b>	>45:1 at low ambient lighting conditions; >4:1 at 8,000 fc diffused, and 2,000 fL specular ambient
<b>NVIS:</b>	Not compatible

## Functional Description

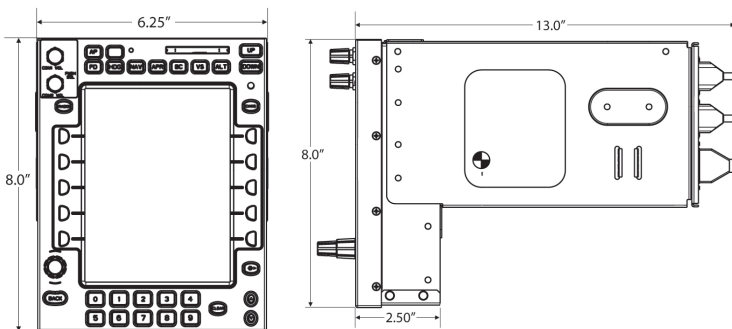
<b>Interfaces:</b>	IEEE 1394b (2) RS-232 (1) Brightness (28 VDC) (1) Power: 28 VDC (dual-source) Discretes (4) (Configuration)
<b>BIT:</b>	Power-up, continuous, and initiated; results reported over bus and bezel indication

## Physical Description

<b>Dimensions:</b>	6.25" (w) x 8.0" (h) x 13.0" (d)
<b>Weight:</b>	7.2 lbs. (CCU and Mounting Rack)
<b>Cooling:</b>	Internal Fan
<b>Primary Power:</b>	28 VDC (dual-source) 45 Watts Normal Operation at max luminance
<b>Mounting:</b>	Mounting rack, 6.25" wide
<b>Bezel:</b>	Custom
<b>Bezel Status LED:</b>	Amber - Initializing Green - Running Red - Failure

## Environmental Performance

<b>DO-160E Categories:</b>	
<b>Temperature and Altitude:</b>	Cat B1
<b>Temperature Variation:</b>	Cat B1, 25,000 ft.
<b>Humidity:</b>	A
<b>Shock and Crash Safety:</b>	B
<b>Vibration:</b>	RBBI, SM
<b>Magnetic Effect:</b>	Z
<b>Power Input:</b>	Z
<b>Voltage Spike:</b>	A
<b>AF Susceptability:</b>	Z
<b>Induced Signal:</b>	ZC
<b>RF Susceptability:</b>	RR; WW
<b>RF Emission:</b>	L
<b>Lightning Transient:</b>	A3J33; A4344
<b>Lightning Direct:</b>	X
<b>ESD</b>	A



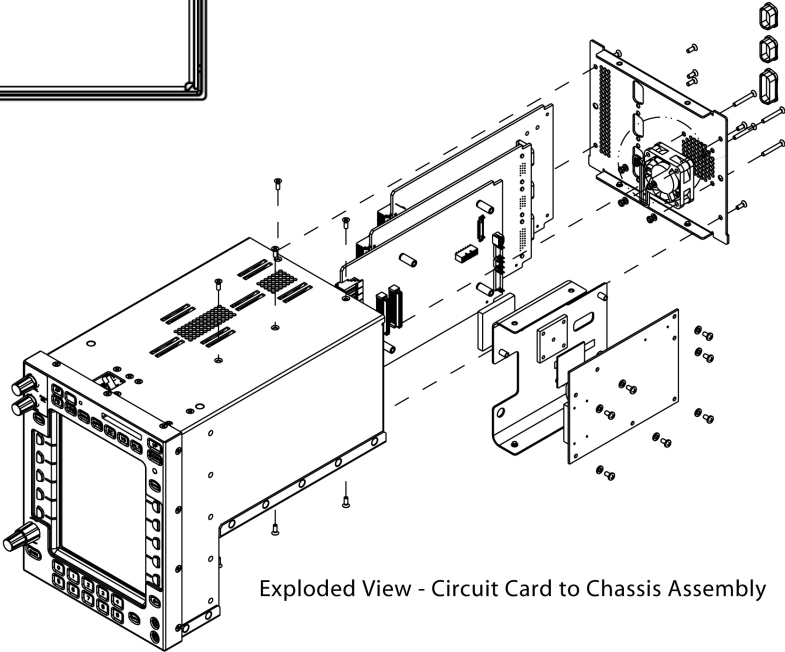
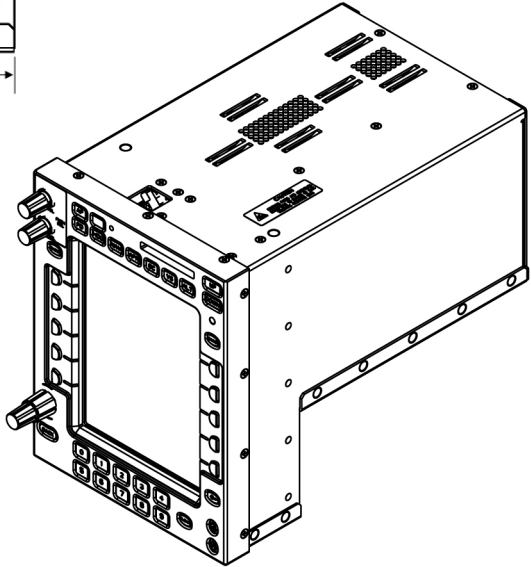
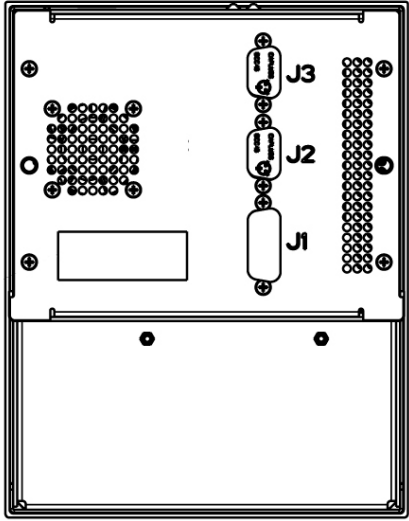
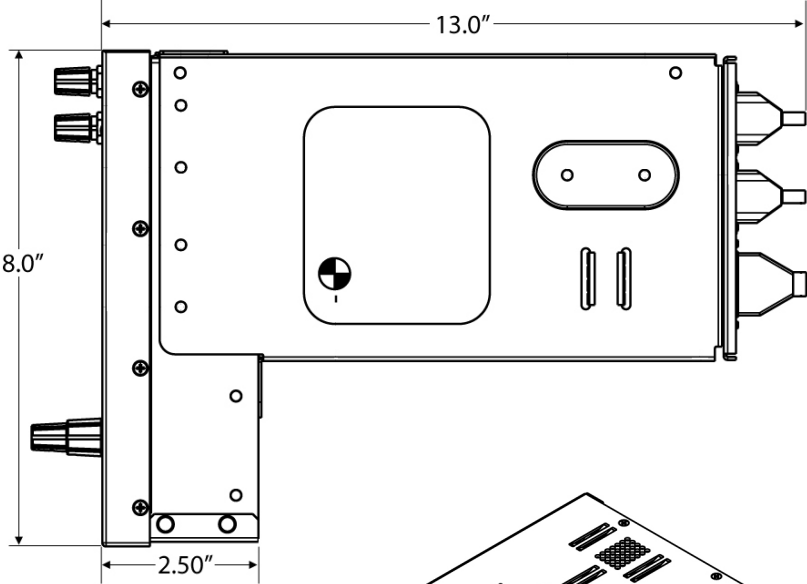
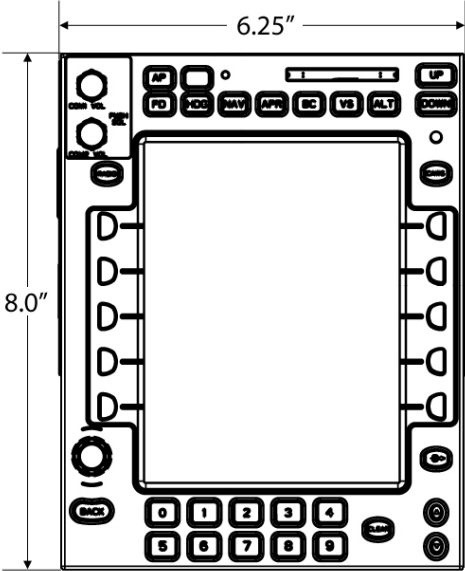
**communications**

Display Systems

1355 Bluegrass Lakes Parkway • Alpharetta, Georgia 30004  
770.752.7000 • L-3Com.com/Displays

August 2006. The U.S. Department of Commerce allows release of this technical data in accordance with Exception Technology and Software Unrestricted (TSU) and items subject to the EAR, Export Administrations Regulations (EAR Parts 740.13 and 734.3(B)(3)). This material is in the public domain and may be reprinted without permission.

# Layout Design



Exploded View - Circuit Card to Chassis Assembly