



### Features

- **2.7-3.0 GHz (Tunable)**
- **1.5 Mw**
- **53 dB Gain**
- **Air Cooled**

### Performance

Frequency .....	2.7 to 3.0 GHz
Instantaneous Bandwidth .....	15 MHz
Peak Output Power .....	1.5 MW
Power Input (max) .....	7.5 W
Duty (RF) .....	0.16%
Duty (video) .....	0.22%
Gain .....	53 dB
Pulse Width (max) .....	6µs

### Typical Operating Conditions

Beam Voltage .....	79 KV
Beam Current .....	40 to 47 A
Beam Power (max.) .....	6.6 KW
Heater Voltage .....	5.0 to 7.0 V
Heater Current .....	20 to 32 A
Cooling Air .....	160 cfm
Waveguide Pressure (min) Freon-12 .....	2 psig
Ion Pump Voltage .....	3 KV
Focusing Magnet .....	Ogallala 4IC2081 or Equiv
Focusing Magnet Voltage (max.) .....	100 V
Focusing Magnet Current (max.) .....	25 A

The L5782 is a tunable cavity, cathode pulsed klystron amplifier which operates over the frequency range 2.7-3.0 GHz with power output of 0.5 to 1.8 Mw peak. Focusing is by electromagnet. Cooling is by forced air. DS57821102

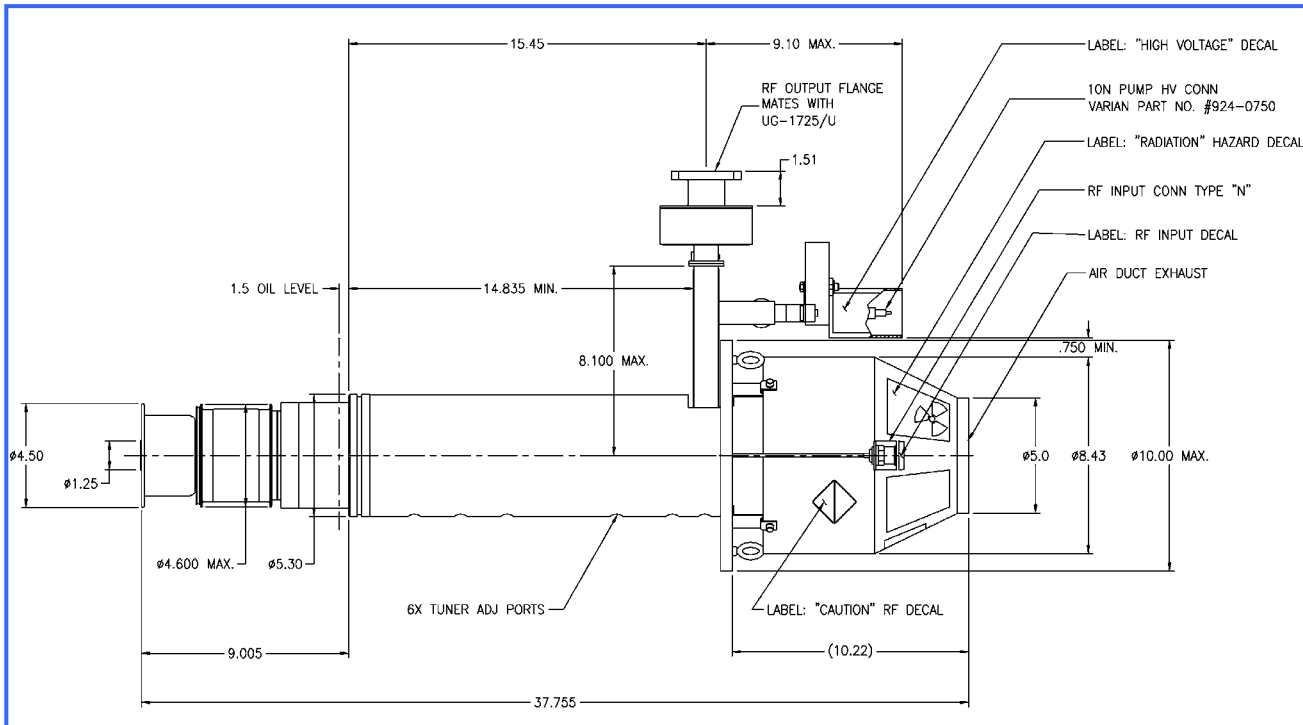


### Mechanical

Dimensions .....	36 x 10 x 17 in.
Weight .....	90 lbs
Focusing Solenoid .....	Will advise
Mounting Position .....	Any
Solenoid Weight .....	300 lbs
RF Input Connector .....	Type N
RF Output .....	Mates with UG-1725/u
Heater and Cathode Connector .....	Socket pads
Tuner Torque (max.) .....	200 oz.-in.
Coolant Connectors .....	See Outline Drawing

Cleared by DoD/DFOISR for public release under 02-S-2499 9/4/02

# L5782 Outline Drawing



Current detailed outline drawings are available on request. Specifications and features are subject to change without notice.