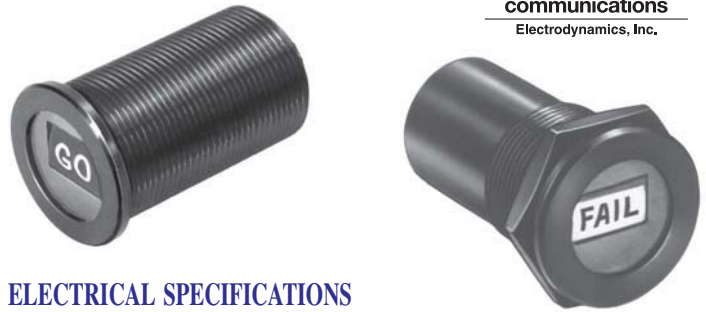


BITE Indicators

Latching or Self-Restoring Model MI61 L, LD & M



communications
Electrodynamics, Inc.



FEATURES

- Environmentally Sealed
- Choice of Self-restoring or Magnetic Latching Types
- Optional Legend Display

The MI61 series magnetic latching fault indicator displays a highly visible dual color drum when the indicator coil is pulsed by a BITE (Built-In Test Equipment) system. The drum provides a high contrast visual indication and an effective warning of system faults. The drum can accommodate a legend such as “GO” or “FAIL” when specific information needs to be displayed.

OPERATION

When the indicator coil is energized with a 50 millisecond or longer pulse, the drum rotates to display the message or system status.

Model MI61M is a self-restoring, steady-state indicator that automatically returns to a neutral state when power is removed. It does not latch to the core magnet, but remains suspended in the position until power is removed. Self-restoring, steady-state indicator.

Models MI61L & MI61LD are latching indicators that remain magnetically latched to the core in the position last pulsed.

For **MI61L** reset to the “no-fault” position is accomplished electrically by reversing the polarity of the pulse.

For the **MI61LD**, a dual coil device, reset to the “no-fault” position is accomplished electronically by pulsing the reset coil.

ELECTRICAL SPECIFICATIONS

Standard Coil Voltages and Resistance:		Resistance ± 10% shown at 25°C.					
DC Voltage		3	5	6	12	24	28
Resistance (Ohms)		6	20	24	103	385	520

- Power:** Steady state for model MI 61 - 1.5 watts.
- Pulse Power for Latching Models:** 1.5 watts, minimal.
- Pulse Length for Latching Models:** 50 ms min.
- Dielectric Withstanding Voltage:** 500 volts DC case to terminals.
100 VDC coil to coil on dual coil units.
- Insulation Resistance:** 100 megohms minimum at 500 VDC.

MECHANICAL SPECIFICATIONS

- Case:** Black, anodized aluminum with sealed glass window.
- Mounting:** Front panel mount.
- Weight:** 20 grams maximum.
- Display Colors:** Any combination of: Black (Blk), White (W), and Day Glow* colors: Red (R), Orange (O), Yellow (Y), and Green (G).
- Legend:** Available maximum letter height 1/8".
- Hardware:** Units supplied with hex nut.

ENVIRONMENTAL SPECIFICATIONS

- Operating Temperature Range:** -65°C to +125°C.
- Vibration**:** 10 G's, 10 to 2kHz, MIL STD 202.
- Shock:** 50 G's - MIL STD 202, Method 213, Condition I.
- Humidity:** 95% relative humidity MIL STD 202, Method 103, Test Condition B.
- Salt Spray:** MIL STD 202, Method 101, Test Condition B.
- Thermal Shock:** MIL STD 202, Method 107, Test Condition B.
- Barometric Pressure:** 100,000 ft. MIL STD 202, Method 105, Test Condition D.
- Operational Life:** 10,000 cycles minimum.
- *Day-Glow Color Corp.
- **During vibration testing, caution should be taken to shield the indicator from the strong magnetic field.

ORDERING INFORMATION

When ordering, show model number first, then coil voltage desired, then the color combination desired. If this is a special part, factory assigned modification number will be added at the end of the ordering number. Consult the factory for special configurations.

Example:

Dual coil magnetically latching unit for 24 volts with black for the fault color and red for reset color would be: Model MI 61LD-24-BLK/R

MI61LD - 24 - BLK / R - S ()

Basic Model Number	Coil Voltage	Fault or Set Color		Reset Color	
		Code	Color	Code	Color
MI61M	3	R	Red	R	Red
MI 61L	5	W	White	W	White
MI 61LD	6	BLK	Black	BLK	Black
	12	G	Green	G	Green
	24	Y	Yellow	Y	Yellow
	28	O	Orange	O	Orange

Standard Factory Options are designated by "-Sxxx"

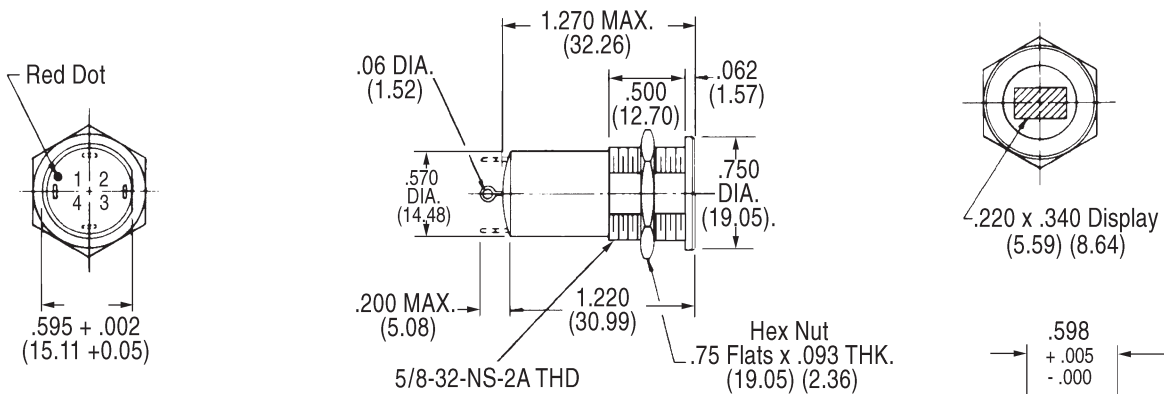


BITE Indicators

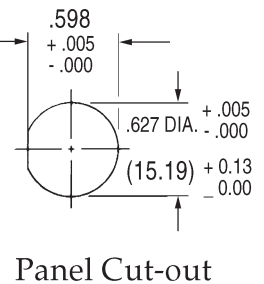
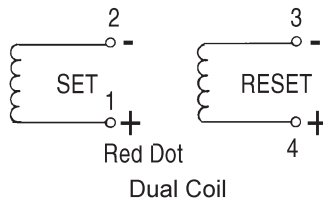
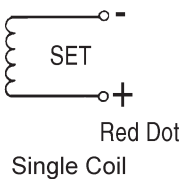
Latching or Self-Restoring Model MI 61 L, LD & M



FLAG INDICATORS



Numbers are for Reference Only.



NOTE:

Dimensions in () are mm. Tolerances: Decimals: $\pm .010$ (0,25), Fractions: $\pm 1/64$ —All mounting hardware is black anodized aluminum. Mounting Torque: 5-7 in. lbs.